



## Application

- This pump is mainly used for use in traditional wells, water deposits and collection tanks. Also suitable for small scale irrigation systems.

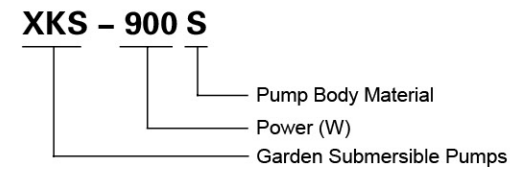
## Pump

- AISI 304 pump body
- Very high head with multistage-impeller design
- Max. liquid temperature: +35°C
- Max. immersion depth: 7 m
- Max. diameter of particle: 1 mm

## Motor

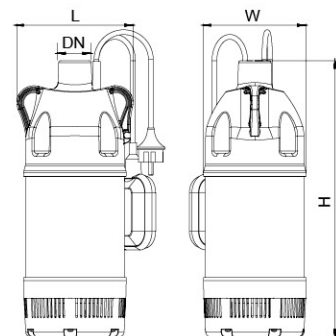
- Motor with aluminum winding
- Built-in thermal protector
- Insulation class: F
- Protection class: IPX8

## Identification Codes



## Technical Data

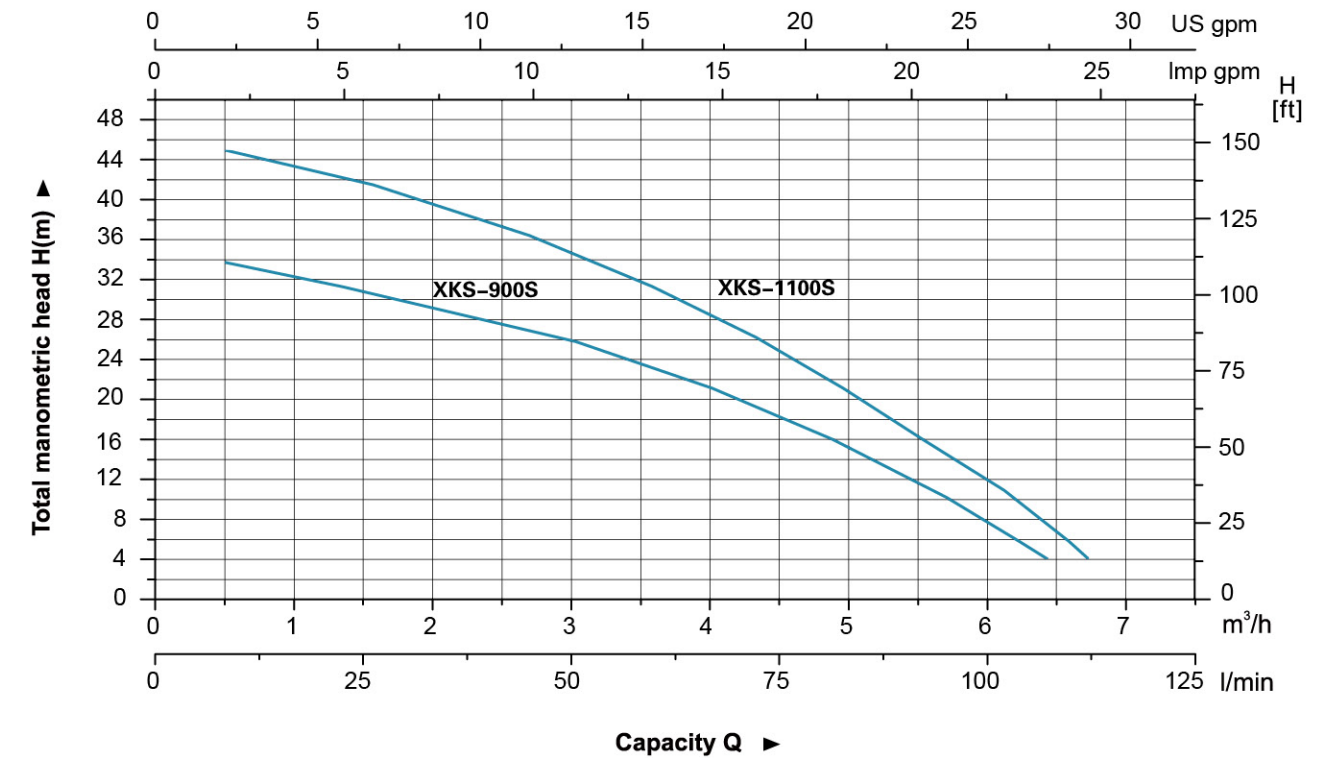
MODEL	POWER (P <sub>2</sub> )		Q (m <sup>3</sup> /h)	Q (l/min)															
	W	HP		0.5	1	1.5	2	2.5	3	3.5	4	4.5	5	5.5	6	6.5			
XKS-900S	900	1.2	H (m)	8.3	16.7	25	33.3	41.7	50	58.3	66.7	75	83.3	91.7	100	108.3			
XKS-1100S	1100	1.5		45	43	42	39	37	35	32	29	25	21	16.1	12	7			



## Dimension

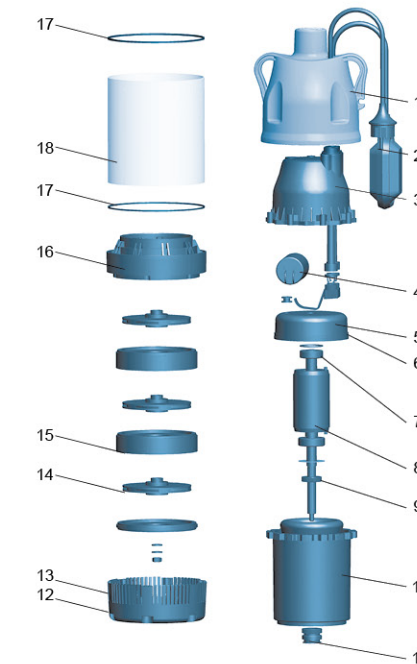
Model	DN	L (mm)	W (mm)	H (mm)
XKS-900S	25	170	150	404
XKS-1100S		170	150	428

## Hydraulic Performance Curve



## Materials Table

No.	Part	Material
1	Pump cover	PP
2	Float switch	
3	Cover	PP
4	Capacitor	
5	Upper plate	ZL102
6	O-ring	NBR
7	Bearing	
8	Rotor	
9	Oil seal	
10	Stator	
11	Mechanical seal	Carbon/ceramic
12	Base	PA66
13	Filter screen	AISI 304
14	Impeller	PPO
15	Discharge cover	PPO
16	Diffuser	PPO
17	Seal ring	NBR
18	Pump body	AISI 304



## Package Information

Model	GW (Kgs)	L (mm)	W (mm)	H (mm)	Quantity (PCS/20 TEU)
XKS-900S	9.9	245	190	455	1380
XKS-1100S	11	245	190	480	1104